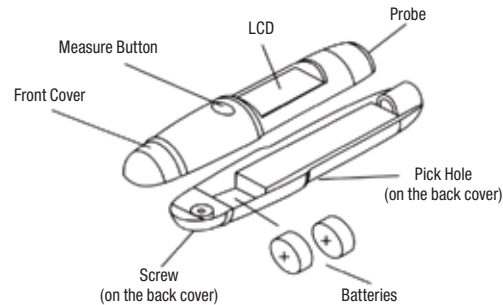


DIGITAL INFRARED THERMOMETER

OPERATING INSTRUCTIONS

The Zilla® Digital Infrared Thermometer is a non-contact infrared thermometer.



USE

Simply aim the thermometer at the target with the probe and press the Meas. (Measurement) button to display the surface temperature. Position the thermometer as close to the target as possible to get the most accurate results.

FAHRENHEIT° / CELSIUS°

The thermometer can easily be changed from degree Celsius (°C) to degree Fahrenheit (°F) by pressing the pick hole under the back cover with a pointed object.

BATTERY REPLACEMENT

A flashing battery icon in the LCD indicates a low battery. To replace a low battery, confirm that the unit power is OFF, loosen the screw on the back cover and replace both of the old batteries. The Zilla® Digital Infrared Thermometer requires two (2) LR44 1.5v cell batteries.

NOTE

Dispose of all unused batteries properly and keep all batteries away from children.

Measurement Range: -33~110 °C (-27.4~230 °F)

Operating Range: 0~50 °C (32~122 °F)

Storage Range: -20~65 °C (-4~149 °F)

Distance:Spot Ratio: 1:1

Accuracy (Tamb=23±3 °C): +/-2.5% of reading or 2.5 °C (4.5 °F) whichever is greater

Resolution: 0.2 °C/0.5 °F

Response Time (90%): 1sec

Emissivity Range: 0.95 fixed

Auto switching-off: 15se

