



MINI HEAT & UVB BASKING FIXTURE

IMPORTANT SAFETY INSTRUCTIONS

WARNING – To guard against injury, basic safety precautions should be observed including the following:

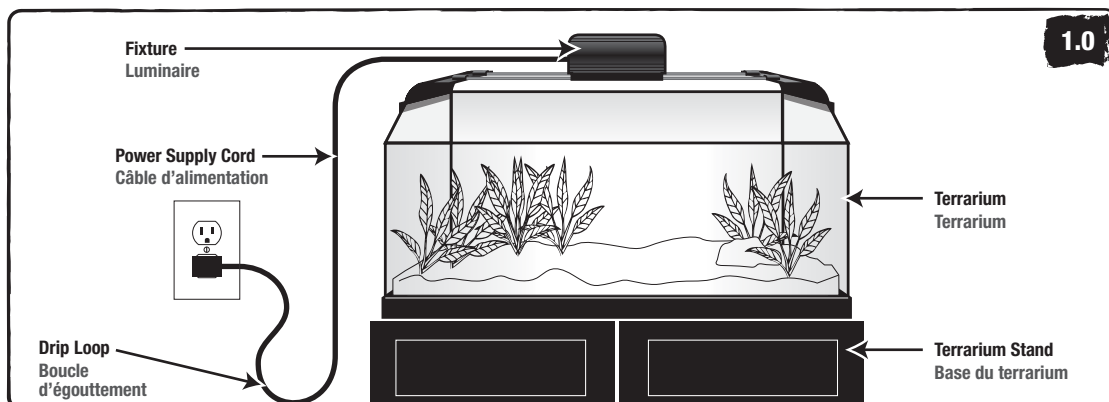
1. **READ AND FOLLOW ALL SAFETY INSTRUCTIONS**
2. **DANGER** – To avoid possible electric shock, special care should be taken since water is employed in the use of aquarium equipment. For each of the following situations, do not attempt to repair yourself; return the appliance to an authorized service facility for service or discard the appliance.
 - a. Do not operate any appliance if it has a damaged cord or plug, or if it is malfunctioning or if it is dropped or damaged in any manner.
3. Close supervision is necessary when any appliance is used by or near children.
4. To avoid injury, do not contact moving parts or hot parts such as heaters, reflectors, lamp bulbs, etc.
5. Always unplug an appliance from the outlet when not in use, before putting on or taking off parts, and before cleaning. Never yank the cord to pull plug from the outlet. Grasp the plug and pull to disconnect.
6. Do not use an appliance for other than intended use. The use of attachments not recommended or sold by the appliance manufacturer may cause an unsafe condition.
7. Do not install or store the appliance where it will be exposed to the weather or to temperatures below freezing.
8. Make sure an appliance mounted on a tank is securely installed before operating it.
9. Read and observe all the important notices on the appliance.
10. If an extension cord is necessary, a cord with a proper rating should be used. A cord rated for less amperes or watts than the appliance rating may overheat. Care should be taken to arrange the cord so that it will not be tripped over or pulled.
11. Do not install the fixture inside a canopy or enclosure covering the unit.
12. For added safety, the fixture must be plugged into a receptacle controlled by a GFI (ground fault interrupter) circuit breaker. Device must be properly connected to a grounded three-prong receptacle.
13. **SAVE THESE INSTRUCTIONS**

CONSIGNES DE SÉCURITÉ IMPORTANTES

AVERTISSEMENT – Pour protéger contre les blessures, respecter les consignes de sécurité de base, notamment ce qui suit :

1. **LIRE ET RESPECTER TOUTES LES INSTRUCTIONS DE SÉCURITÉ.**
2. **DANGER** – Pour écarter les risques de décharge électrique, faire preuve de précautions particulières en raison de la présence d'eau dans l'aquarium. Dans chacune des situations ci-dessous, ne pas tenter de réparer soi-même; renvoyer l'appareil à un centre de réparation agréé ou le mettre au rebut.
 - a. Ne pas utiliser un appareil s'il a un cordon ou une fiche endommagés, s'il fonctionne mal, s'il est tombé ou s'il a été endommagé d'une quelconque façon.
3. Une supervision étroite est nécessaire lors de l'utilisation de tout appareil électrique par des enfants ou à leur proximité.
4. Pour éviter les blessures, ne pas toucher de pièces en mouvement ni de pièces chaudes telles que radiateurs, réflecteurs, ampoules, etc.
5. Toujours débrancher un appareil de la prise de courant lorsqu'il n'est pas utilisé, avant de poser ou d'enlever des pièces et avant de le nettoyer. Ne jamais tirer sur le cordon pour sortir la fiche de la prise. Saisir la fiche et tirer pour débrancher.
6. Ne pas utiliser un appareil à d'autres fins que celles prévues. L'emploi d'accessoires non recommandés ni vendus par le fabricant de l'appareil peut produire une situation dangereuse.
7. Ne pas installer ni entreposer l'appareil dans un endroit exposé aux intempéries ou à des températures inférieures au gel.
8. S'assurer qu'un appareil monté sur un aquarium est solidement installé avant de le mettre en marche.
9. Lire et respecter toutes les consignes importantes figurant sur l'appareil.
10. Si un cordon de rallonge est nécessaire, utiliser un cordon de capacité suffisante. Un cordon prévu pour des intensités (A) ou des puissances (W) inférieures à celles de l'appareil peut surchauffer. Veiller à disposer le cordon de manière à éviter tout risque de trébuchement ou d'arrachement.
11. Ne pas installer le luminaire à l'intérieur d'un auvent ou un enclos qui recouvre l'unité.
12. Pour plus de sécurité, le luminaire doit être branché dans une prise contrôlée par un disjoncteur de fuite de terre. L'appareil doit être connecté correctement à une prise triphasée reliée à la terre.

13. CONSERVER CES INSTRUCTIONS





MINI HEAT & UVB BASKING FIXTURE

OPERATION

Make sure to read and follow instructions in their entirety before plugging the fixture into an electrical outlet.

The fixture must be properly plugged into a grounded receptacle. If a grounded outlet is not available, provide grounding means.

INSTALLATION

1. Install Zilla® Desert or Tropical Mini Compact Fluorescent Bulb (2.0) and Mini Halogen Bulb (3.0). (Bulbs sold separately.)

NOTE: Do not touch mini halogen bulb with bare hands. The oil from your fingertips shortens the life of the bulb.

2. Unscrew the knob on the back of the fixture by turning it counterclockwise. (4.0)
3. Place fixture on top of light rail.* (5.0a)
4. Screw knob onto fixture by turning clockwise. Fixture should be secure on the light rail.
5. Position the light rail on the terrarium. (5.0b)
6. Plug fixture into grounded outlet or power source.

SAFETY: Make sure the switch is in the off position before plugging the fixture into a power source.

7. Turn on power switch. Verify that the bulbs are lit and functioning properly.

*Fixture can also be used on top of screen cover.

WARNING: Do not touch bulbs or fixtures while operating. Heat is generated by these bulbs. Keep away from combustible materials. Position and shield fixture so reptiles are unable to touch bulb.

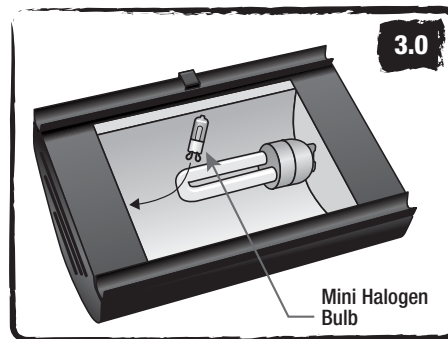
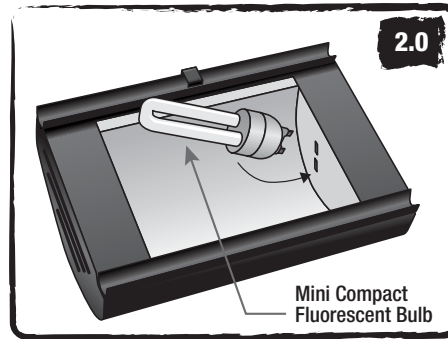
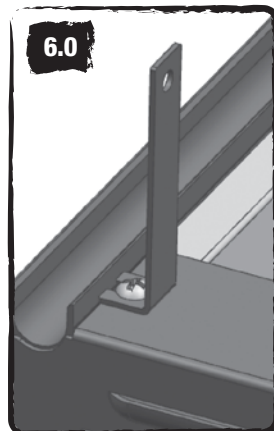
AVERTISSEMENT : Ne pas toucher l'ampoule ou le luminaire pendant qu'il est en marche. Ces ampoules génèrent de la chaleur. Maintenir éloigné de matières combustibles. Positionner le luminaire pour que les reptiles soient protégés et ne puissent pas toucher l'ampoule.

METAL BRACKETS

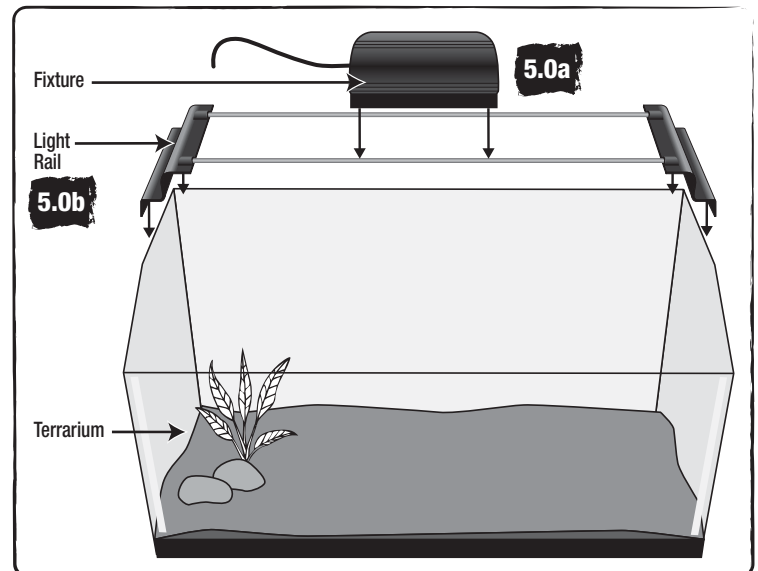
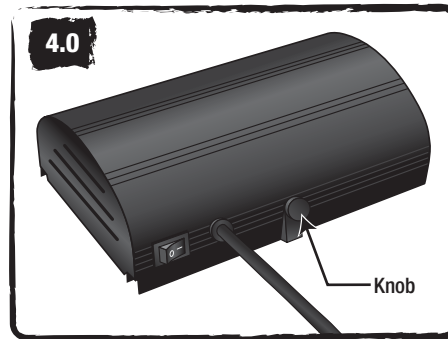
The supplied metal brackets are a UL safety requirement and are intended for use ONLY if the fixture is NOT installed over a metal screen covered terrarium or on a light rail.

The metal brackets are intended to be installed as shown (6.0) to keep the fixture a safe distance from combustible materials.

If the fixture is used over a metal screen covered terrarium (or light rail) with a minimum distance of 10 inches between the fixture and the bottom of the terrarium, the brackets DO NOT need to be installed.



NOTE: Do not touch mini halogen bulb with bare hands. The oil from your fingertips shortens the life of the bulb.





MINI HEAT & UVB BASKING FIXTURE

MAINTENANCE

SAFETY: Turn off switch and unplug power cord from electrical outlet before performing maintenance.

CAUTION: Allow light fixture to cool down before handling.

ATTENTION : Permettre au luminaire de se refroidir avant de le manipuler.

FIXTURE MAINTENANCE

Clean fixture with dry cloth only.

NOTE: This fixture has no user serviceable parts.

MINI COMPACT FLUORESCENT BULB REPLACEMENT

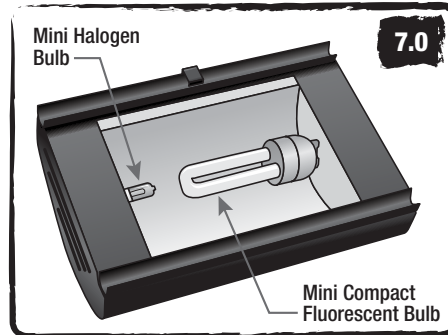
NOTE: Replace bulb every 3500 hours or 12 months.

1. Place fixture on a non-abrasive flat surface with the bottom facing up. **(7.0)**
2. With your thumb and index finger, gently remove bulb from socket. **(2.0)**
3. To replace, carefully install replacement fluorescent bulb.

MINI HALOGEN BULB REPLACEMENT

NOTE: Do not touch mini halogen bulb with bare hands. The oil from your fingertips shortens the life of the bulb.

1. Place fixture on a non-abrasive flat surface with the bottom facing up. **(7.0)**
2. Wrap a cloth or piece of paper around the bulb then, with your thumb and index finger, gently remove bulb from socket. **(3.0)**
3. To replace, carefully insert replacement halogen bulb into socket.



CAUTION:

This product contains mercury.
Dispose of properly.

ATTENTION :

Ce produit contient du mercure.
Se débarrasser du produit
de façon convenable.

AVAILABLE BULBS

LIGHT:

ZILLA® MINI COMPACT FLUORESCENT BULBS

Desert Mini Compact Fluorescent Bulbs generate full spectrum light and UVB sufficient for reptiles native to desert environments.
(Do not exceed 7W)



Tropical Mini Compact Fluorescent Bulbs re-create the healthy light of the tropical rainforest.
(Do not exceed 7W)



LIGHT:

WHITE DAY LIGHT MINI HALOGEN BULB

Soft white light for day illumination and warmth.
(Do not exceed 50W)



LIGHT & HEAT:

BLUE DAY LIGHT MINI HALOGEN BULB

Two-in-one bulb provides color-enhancing blue light and heat.
(Do not exceed 50W)





MINI HEAT & UVB BASKING FIXTURE

12 Month Limited Warranty

WHAT THE WARRANTY COVERS:

Central Aquatics (Company) warrants this product (see Exclusions below) to the original purchaser against defective material and workmanship that occurs during normal use for 12 months from the date of original purchase. Company will, at Company's option, either repair or replace same without charge (but no cash refunds will be made).

EXCLUSIONS:

1. Damage resulting from accident, misuse, abuse, lack of reasonable care, subjecting the product to any but the specified electrical service, other than normal and ordinary use of the product, subjecting the product to abnormal working conditions or any other failure not resulting from defects in materials or workmanship.
2. Damage resulting from modification, tampering with or attempted repair by anyone other than the Company.
3. Transfer of product to someone other than the original consumer purchaser.

FOR WARRANTY OR TECHNICAL SERVICE:

1. Contact the Company by mail or telephone: Central Aquatics, 5401 West Oakwood Park Drive, Franklin, WI 53132. Telephone: (888) 255-4527 to obtain a return authorization number.

NOTE: Be sure to provide contact information when requesting return authorization number.

2. Deliver, mail or ship the product, together with a copy of the original bill of sale, to:

Central Aquatics
5401 West Oakwood Park Drive
Franklin, WI 53132

You must pay any postage, shipping charges, insurance costs and other expenses to return the product to Central Aquatics, Franklin, WI 53132. However, if the necessary repairs are covered by the warranty, Company will pay the return shipping charges to any destination within the United States or Canada.

LIMITATION OF IMPLIED WARRANTIES AND EXCLUSION OF CERTAIN DAMAGES:

THE COMPANY DISCLAIMS LIABILITY FOR INCIDENTAL AND CONSEQUENTIAL DAMAGES FOR BREACH OF ANY EXPRESS OR IMPLIED WARRANTY, INCLUDING ANY IMPLIED WARRANTY OF MERCHANTABILITY, WITH RESPECT TO THIS PRODUCT. THIS WRITING CONSTITUTES THE ENTIRE AGREEMENT OF THE PARTIES WITH RESPECT TO THE SUBJECT MATTER HEREOF; NO WAIVER OR AMENDMENT SHALL BE VALID UNLESS IN WRITING SIGNED BY THE COMPANY. Some states do not allow the exclusion or limitation of consequential damages, so the above limitation or exclusion may not apply to you.