

Zilla BASKING PLATFORM FILTER

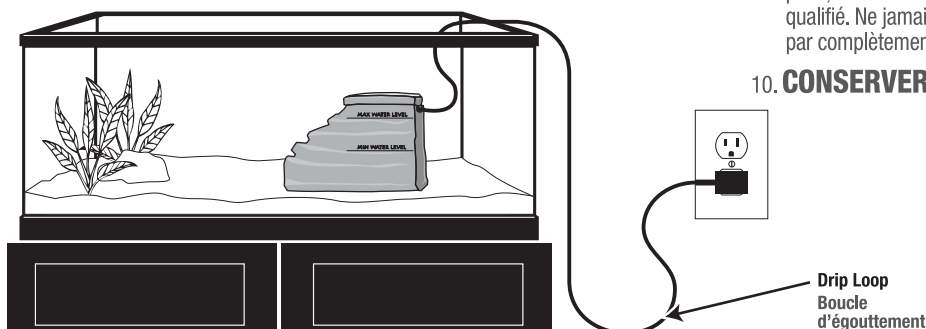
IMPORTANT SAFETY INSTRUCTIONS

WARNING – To guard against injury, basic safety precautions should be observed including the following:

- 1. READ AND FOLLOW ALL SAFETY INSTRUCTIONS**
- 2. DANGER** – To avoid possible electric shock, special care should be taken since water is employed in the use of aquarium equipment. For each of the following situations, do not attempt to repair yourself; return the appliance to an authorized service facility for service or discard the appliance.
 - A.** If the appliance shows any sign of abnormal water leakage, immediately unplug it from the power source.
 - B.** Carefully examine the appliance after installation. It should not be plugged in if there is water on the parts not intended to be wet.
 - C.** Do not operate any appliance if it has a damaged cord or plug, or if it is malfunctioning or if it is dropped or damaged in any manner.
 - D.** To avoid the possibility of the appliance plug or receptacle getting wet, position aquarium stand and tank to one side of the wall mounted receptacle to prevent water from dripping onto the receptacle or plug. As shown in the figure below, a “drip loop” should be arranged by the user for each cord connecting an aquarium appliance to the receptacle. The “drip loop” is the part of the cord below the level of the receptacle, or the connector if an extension cord is used, to prevent water travel along the cord and coming in contact with the receptacle. If the plug or the receptacles do get wet, DON'T unplug the cord. Disconnect the fuse to the circuit breaker that supplies power to the appliance. Then unplug and examine for the presence of water in the receptacle.
- 3.** Close supervision is necessary when any appliance is used by or near children.
- 4.** Always unplug an appliance from the outlet when not in use, before putting on or taking off parts, and before cleaning. Never yank the cord to pull plug from the outlet. Grasp the plug and pull to disconnect.
- 5.** Do not use an appliance for other than intended use. The use of attachments not recommended or sold by the appliance manufacturer may cause an unsafe condition.
- 6.** Do not install or store the appliance where it will be exposed to the weather or to temperatures below freezing.
- 7.** Read and observe all the important notices on the appliance.
- 8.** If an extension cord is necessary, a cord with a proper rating should be used. A cord rated for less amperes or watts than the appliance rating may overheat. Care should be taken to arrange the cord so that it will not be tripped over or pulled.

ONLY FOR POLARIZED ATTACHMENT PLUG APPLIANCES

- 9.** If this appliance has a polarized plug (one blade is wider than the other) as a safety feature, this plug will fit in a polarized outlet only one way. If the plug does not fit fully in the outlet, reverse the plug. If it still does not fit, contact a qualified electrician. Never use with an extension cord unless plug can be fully inserted. Do not attempt to defeat this safety feature.
- 10. SAVE THESE INSTRUCTIONS**



CONSIGNES DE SÉCURITÉ IMPORTANTES

AVERTISSEMENT – Pour protéger contre les blessures, respecter les consignes de sécurité de base, notamment ce qui suit :

- 1. LIRE ET RESPECTER TOUTES LES INSTRUCTIONS DE SÉCURITÉ.**
- 2. DANGER** – Pour écarter les risques de décharge électrique, faire preuve de précautions particulières en raison de la présence d'eau dans l'aquarium. Dans chacune des situations ci-dessous, ne pas tenter de réparer soi-même ; renvoyer l'appareil à un centre de réparation agréé ou le mettre au rebut.
 - A.** Si l'appareil présente des signes de fuites d'eau anormales, le débrancher immédiatement de la source d'alimentation.
 - B.** Examiner l'appareil avec soin après son installation. Ne pas le brancher s'il y a de l'eau sur des pièces non destinées à être mouillées.
 - C.** Ne pas utiliser un appareil s'il a un cordon ou une fiche endommagés, s'il fonctionne mal, s'il est tombé ou s'il a été endommagé d'une quelconque façon.
 - D.** Pour écarter le risque de mouiller la fiche de l'appareil ou la prise de courant, placer le socle et la cuve de l'aquarium sur le côté par rapport à la prise murale, afin d'éviter que l'eau ne goutte sur la prise ou la fiche. Prévoir une « boucle d'égouttement », illustrée ci-dessous, sur chaque cordon qui raccorde un appareil de l'aquarium à la prise de courant. La « boucle d'égouttement » est la portion de cordon en dessous du niveau de la prise, ou du connecteur si un cordon de rallonge est utilisé, pour empêcher l'eau de s'écouler le long du cordon et de venir au contact de la prise. Si la fiche ou la prise sont mouillées, NE PAS débrancher le cordon. Couper l'électricité au niveau du disjoncteur qui alimente l'appareil. Débrancher ensuite le cordon et voir s'il y a de l'eau dans la prise de courant.
- 3.** Une supervision étroite est nécessaire lors de l'utilisation de tout appareil électrique par des enfants ou à leur proximité.
- 4.** Toujours débrancher un appareil de la prise de courant lorsqu'il n'est pas utilisé, avant de poser ou d'enlever des pièces et avant de le nettoyer. Ne jamais tirer sur le cordon pour sortir la fiche de la prise. Saisir la fiche et tirer pour débrancher.
- 5.** Ne pas utiliser un appareil à d'autres fins que celles prévues. L'emploi d'accessoires non recommandés ni vendus par le fabricant de l'appareil peut produire une situation dangereuse.
- 6.** Ne pas installer ni entreposer l'appareil dans un endroit exposé aux intempéries ou à des températures inférieures au gel.
- 7.** Lire et respecter toutes les consignes importantes figurant sur l'appareil.
- 8.** Si un cordon de rallonge est nécessaire, utiliser un cordon de capacité suffisante. Un cordon prévu pour des intensités (A) ou des puissances (W) inférieures à celles de l'appareil peut surchauffer. Veiller à disposer le cordon de manière à éviter tout risque de trébuchement ou d'arrachement.

APPAREILS À FICHE POLARISÉE SEULEMENT

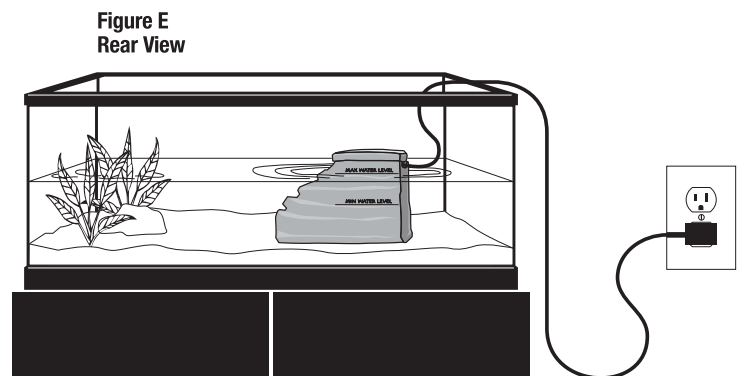
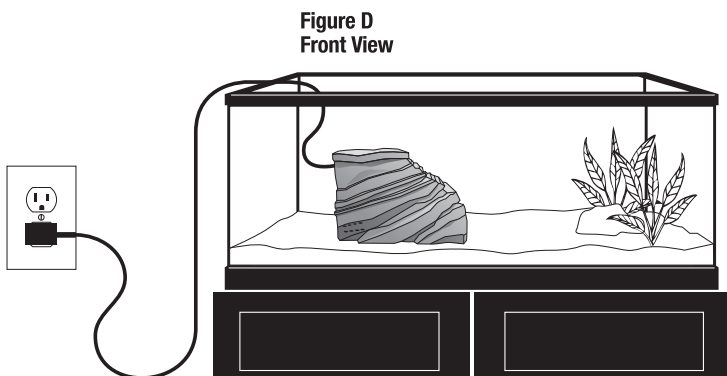
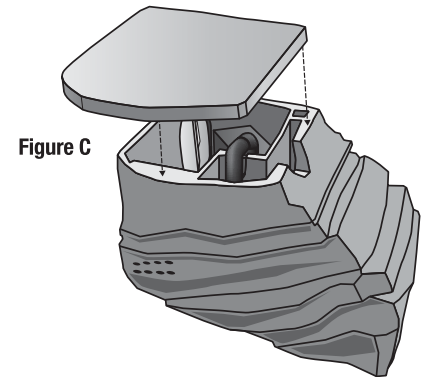
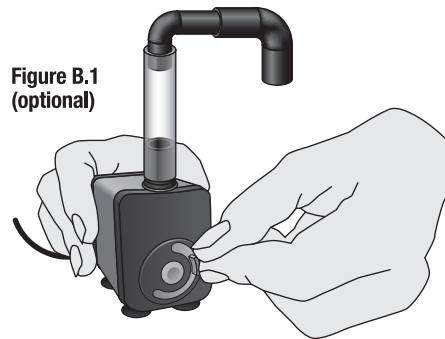
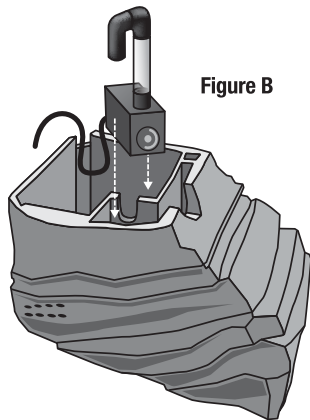
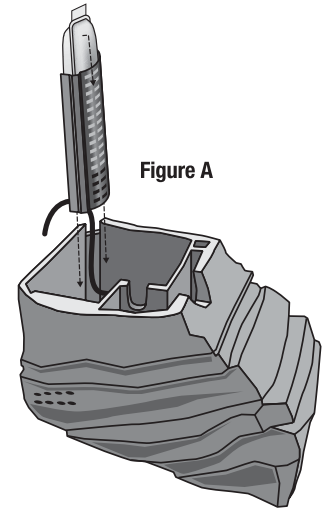
- 9.** Si cet appareil comporte une fiche polarisée (une lame plus large que l'autre) par mesure de sécurité, cette fiche ne peut être branchée dans une prise polarisée que dans un sens. Si la fiche ne rentre pas complètement dans la prise, retourner la fiche. Si elle ne rentre toujours pas, contacter un électricien qualifié. Ne jamais utiliser avec un cordon de rallonge si la fiche ne s'enfonce par complètement. Ne pas tenter de contourner ce dispositif de sécurité.

10. CONSERVER CES INSTRUCTIONS

Zilla BASKING PLATFORM FILTER

INSTALLATION/OPERATION

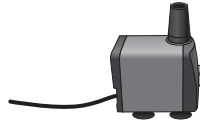
- Step 1: Check Basking Platform Filter for any signs of shipping damage. If damaged, do not operate and return to place of purchase.
- Step 2: Remove new cartridge from bag and rinse under cold water to remove carbon dust.
- Step 3: Remove lid from Basking Platform Filter.
- Step 4: Slide blue cartridge holster into Basking Platform Filter; then slide filter cartridge into blue cartridge holster. (Figure A)
- Step 5: Insert assembled water pump (water pump assembly instructions on next page) into Basking Platform Filter. (Figure B)
- (Optional) To adjust the water flow adjust dial as shown. (Figure B.1)
- Step 6: Place lid onto filter. (Figure C)
- Step 7: Place assembled unit into terrarium. Do not block intake holes with gravel or decor. Be sure instructions for “drip loop” have been followed. (Figure D)
- Step 8: Fill terrarium with water; the water level should rest between the “Minimum Water Level” and “Maximum Water Level” lines etched into the unit. (Figure E)
DO NOT RUN DRY.



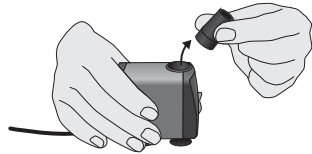
Zilla BASKING PLATFORM FILTER

WATER PUMP ASSEMBLY INSTRUCTIONS

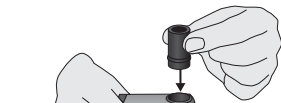
1. Locate the water pump; it will be packaged separately.



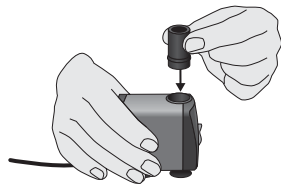
2. Remove small outlet adapter tube from water pump.



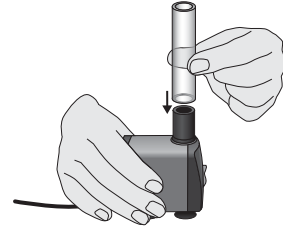
3. Locate the larger outlet tube in this pouch.



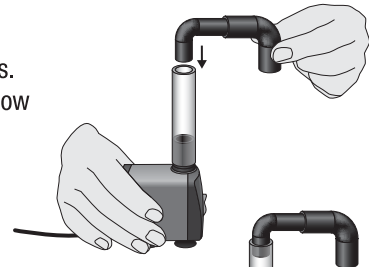
4. Insert larger outlet tube into water pump.



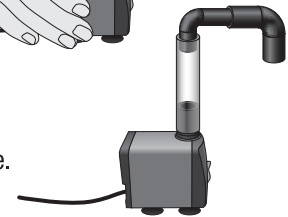
5. Locate vinyl tube and connect to outlet tube; it should fit snugly.



6. Locate elbow connectors. Insert smaller end of elbow connector to vinyl tube.

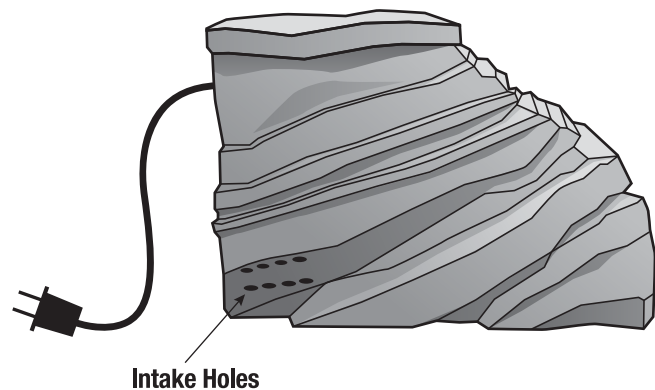


7. Water pump assembly complete.



MAINTENANCE TIPS

1. Change filter cartridge monthly.
2. To clean basking platform filter, rinse with warm water and wipe with damp cloth.
3. If intake holes become clogged with debris, they must be cleaned. To clean, gently brush away debris with damp cloth, filter brush or cotton swab.



Zilla BASKING PLATFORM FILTER

12 Month Limited Warranty

WHAT THE WARRANTY COVERS:

Central Aquatics (Company) warrants this product (see Exclusions below) to the original purchaser against defective material and workmanship that occurs during normal in-home use for 12 months from the date of purchase. Company will, at Company's option, either repair or replace same without charge (but no cash refunds will be made). This warranty is limited to replacement or repair of product only and does not cover loss of aquarium life, personal injury, property loss, or damage arising from the use of the product. You must retain original proof of purchase to validate this warranty.

EXCLUSIONS:

1. Damage resulting from accident, misuse, abuse, lack of reasonable care, subjecting the product to any but the specified electrical service, other than normal and ordinary use of the product, subjecting the product to abnormal working conditions or any other failure not resulting from defects in materials or workmanship.
2. Damage resulting from modification, tampering with or attempted repair by anyone other than the Company.
3. Transfer of product to someone other than the original consumer purchaser.

LIMITATION OF IMPLIED WARRANTIES AND EXCLUSION OF CERTAIN DAMAGES:

THE COMPANY DISCLAIMS LIABILITY FOR INCIDENTAL AND CONSEQUENTIAL DAMAGES FOR BREACH OF ANY EXPRESS OR IMPLIED WARRANTY, INCLUDING ANY IMPLIED WARRANTY OF MERCHANTABILITY, WITH RESPECT TO THIS PRODUCT. THIS WRITING CONSTITUTES THE ENTIRE AGREEMENT OF THE PARTIES WITH RESPECT TO THE SUBJECT MATTER HEREOF; NO WAIVER OR AMENDMENT SHALL BE VALID UNLESS IN WRITING SIGNED BY THE COMPANY.

FOR WARRANTY OR TECHNICAL SERVICE:

1. Contact the Company by mail or telephone:
Central Aquatics
5401 West Oakwood Park Drive
Franklin, WI 53132
Telephone: (888) 255-4527 to obtain a return authorization number.
NOTE: Be sure to provide contact information when requesting return authorization number.
2. Deliver, mail or ship the product, together with a copy of the original bill of sale, to:
Central Aquatics
5401 West Oakwood Park Drive
Franklin, WI 53132

You must pay any postage, shipping charges, insurance costs and other expenses to return the product to Central Aquatics, Franklin, WI 53132. However, if the necessary repairs are covered by the warranty, Company will pay the return shipping charges to any destination within the United States or Canada.

Some states do not allow the exclusion or limitation of consequential damages, so the above limitation or exclusion may not apply to you.